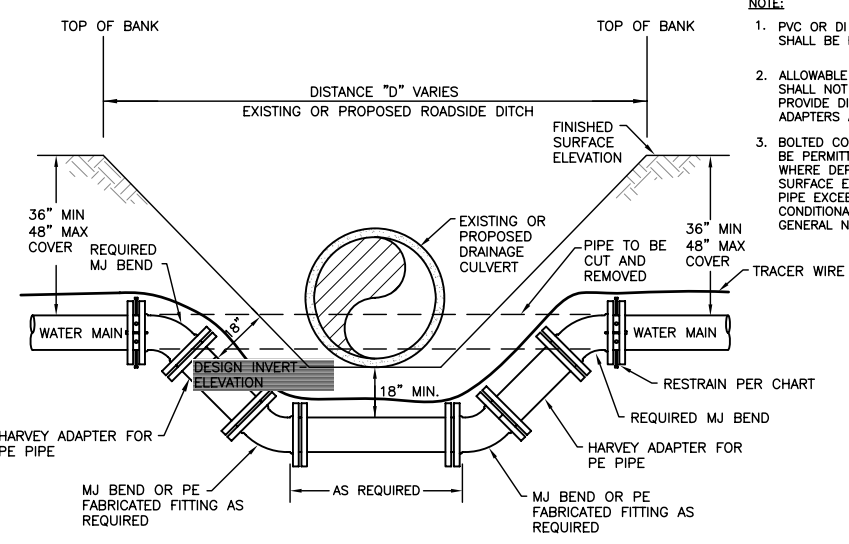


1 TYPICAL LARGE DITCH OR SUBMERGED CANAL OR BAYOU CROSSING BY DIRECTIONAL DRILL OR OPEN CUT METHOD

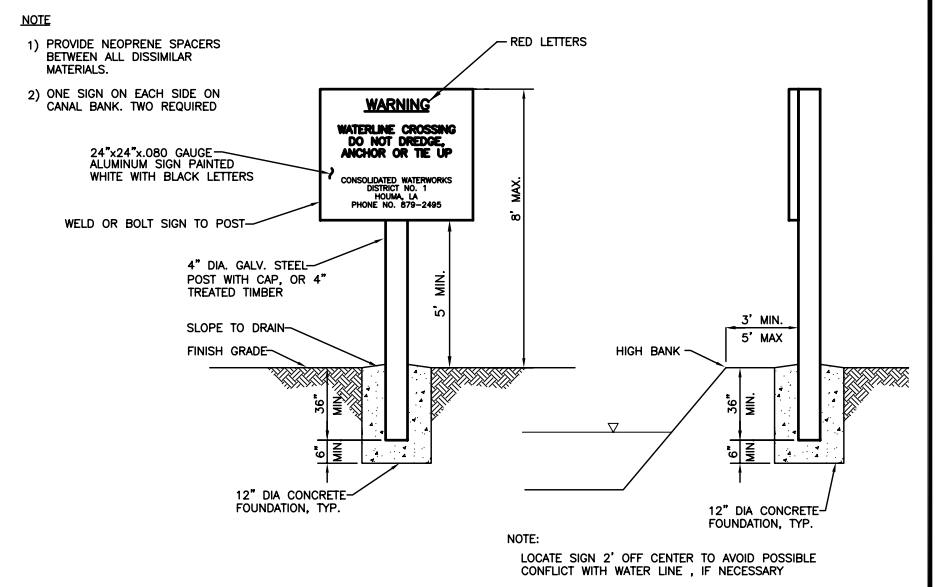
NTS



2 TYPICAL WATERLINE ROADSIDE DITCH CROSSING

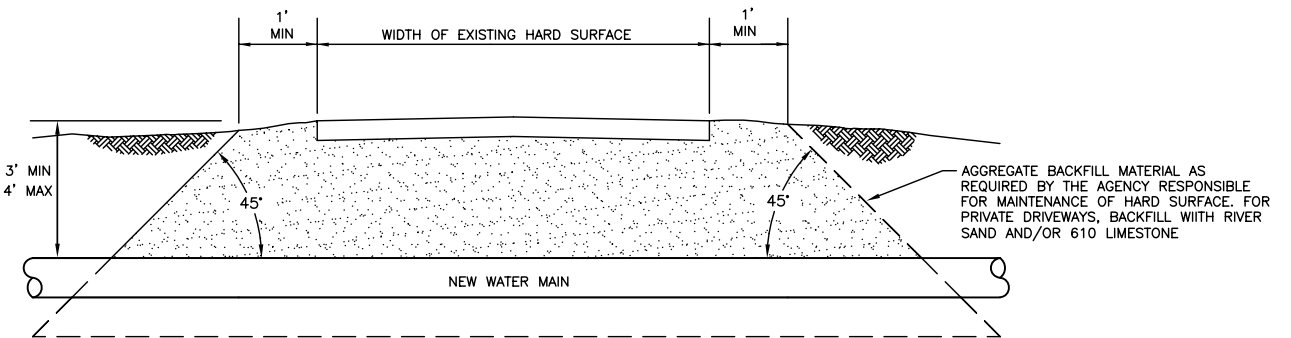
NTS

- NOTE:**
- PVC OR DI SPOOLS 4' OR LESS SHALL BE RODDED
 - ALLOWABLE FLEX FOR PE PIPE SHALL NOT BE EXCEEDED. PROVIDE DI BENDS AND HARVEY ADAPTERS AS REQUIRED
 - BOLTED CONNECTIONS SHALL NOT BE PERMITTED FOR INSTALLATION WHERE DEPTH FROM FINISHED SURFACE ELEVATION TO TOP OF PIPE EXCEEDS 4.0 FEET UNLESS CONDITIONALLY APPROVED. SEE GENERAL NOTE 14 ON SHEET 1.



3 WATERLINE CROSSING WARNING SIGN

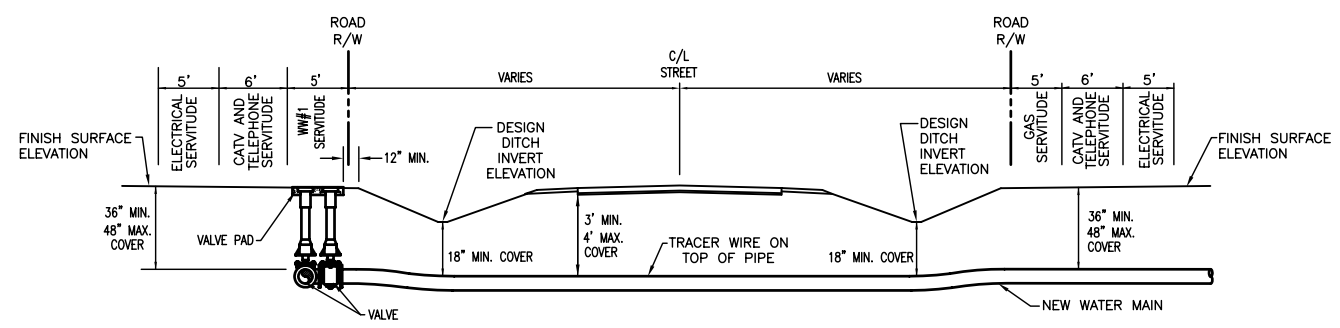
NTS



NOTE: ALL AGGREGATE BACKFILL SHALL BE COMPACTED TO A MINIMUM 95% OF MAXIMUM DRY DENSITY AT OPTIMUM MOISTURE CONTENT IN ACCORDANCE WITH ASTM NO. 698.

4 TYPICAL OPEN-CUT INSTALLATION ACROSS EXISTING HARD SURFACE

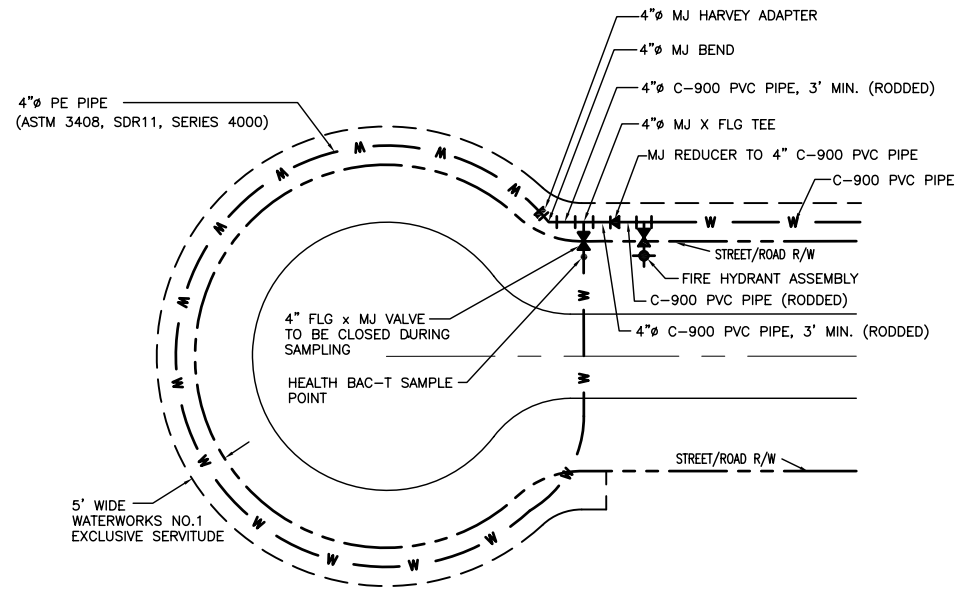
NTS



- NOTE:**
- EDGE OF CONCRETE VALVE BOX PAD SHALL BE A MIN. OF 12" FROM TOP OF DITCH EMBANKMENT.
 - ALL SERVIDUE SHALL BE IN ACCORDANCE WITH SUBDIVISION PLAN APPROVAL AND TERREBONNE PLANNING COMMISSION.

5 TYPICAL STREET OR ROAD CROSSING

NTS



6 TYPICAL CUL-DE-SAC

NTS



CONSOLIDATED WATERWORKS DISTRICT NO. 1
8814 MAIN STREET
P.O. BOX 630
HOUMA, LOUISIANA 70361

STANDARD WATERMAIN DETAILS & GENERAL NOTES
FOR
WATER LINE CONSTRUCTION

DESIGNED BY: _____ COMPILED BY: _____ APPROVED BY: _____

DATE:
APRIL, 2010

SCALE:
NOT TO SCALE

DATE: _____
REVISIONS: _____
REMARKS: _____

DATE: _____
REVISIONS: _____
REMARKS: _____

FILE: ACAD\DIST\AREA3\2-14B

AREA: _____

SHEET:
3 OF 4